

# INSTALLATION GUIDE



## Column Set 10

For 1960 –1970 Mustang/Falcon/Cougar  
with 2” Aftermarket Steering Column

**P/N: TCP COLM-10**

### DESCRIPTION:

LOWER COLUMN FLOOR SUPPORT BRACKET WITH COLUMN CLAMP, COLUMN MOUNT SHIMS, COLUMN GASKETS, FEMALE WIRE LOOM ADAPTER, HORN RELAY AND MOUNTING HARDWARE

### APPLICATIONS:

FITS 1960 - 1970 MUSTANG/COUGAR WITH 2" STEERING COLUMNS

### WARRANTY NOTICE:

There are **NO WARRANTIES**, either expressed or implied. Neither the seller nor manufacturer will be liable for any loss, damage or injury, direct or indirect, arising from the use or inability to determine the appropriate use of any product. Before any attempt at installation, all drawings and/or instruction sheets should be completely reviewed to determine the suitability of the product for its intended use. In this connection, the user assumes all responsibility and risk. We reserve the right to change specification without notice. Further, Chris Alston's Chassisworks, Inc., makes **NO GUARANTEE** in reference to any specific class legality of any component. **ALL PRODUCTS ARE INTENDED FOR RACING AND OFF-ROAD USE AND MAY NOT BE LEGALLY USED ON THE HIGHWAY.** The products offered for sale are true race-car components and, in all cases, require some fabrication skill. **NO PRODUCT OR SERVICE IS DESIGNED OR INTENDED TO PREVENT INJURY OR DEATH.**

Total Control Products  
A Chris Alston's Chassisworks, Inc. Brand  
8661 Younger Creek Drive  
Sacramento, CA 95828  
Phone: 916-388-0288  
Technical Support: [tcptech@cachassisworks.com](mailto:tcptech@cachassisworks.com)  
7903-COLM-10



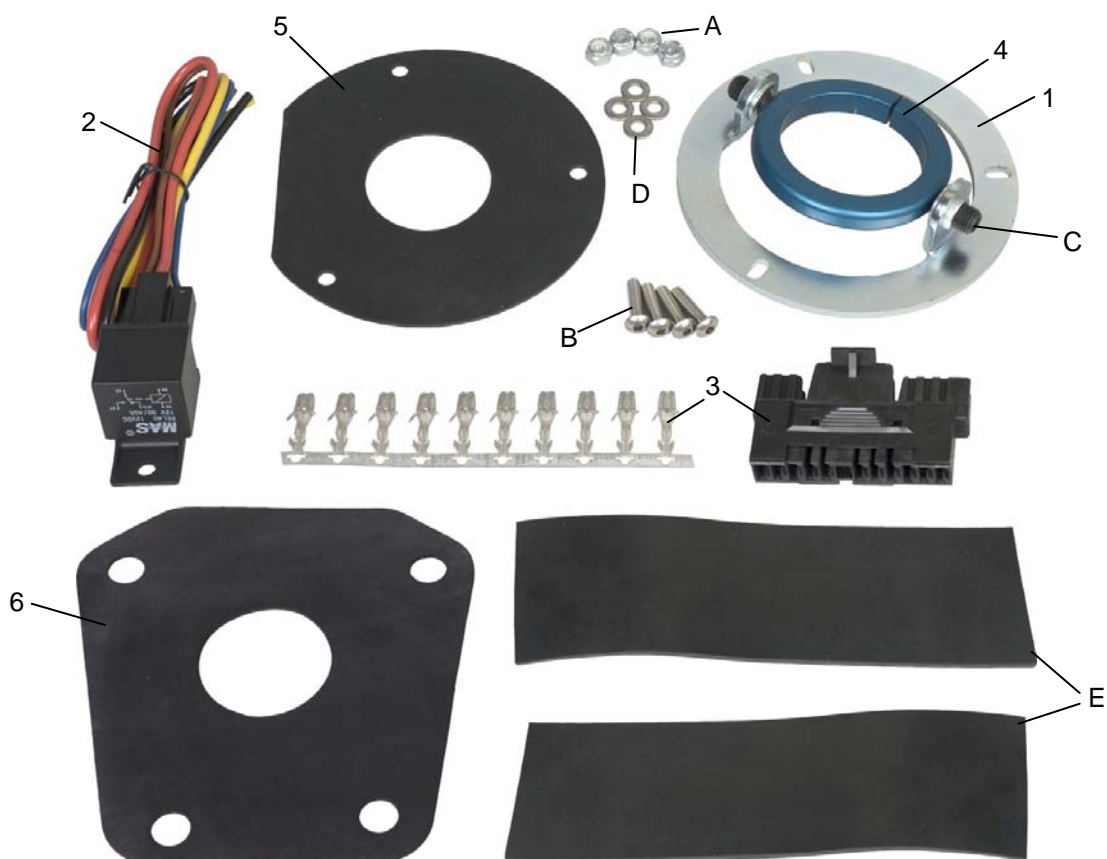
REV 12/31/07

## PARTS LIST

Item	Part Number	Description	Quantity
1	7900-139	Lower Column Support Bracket Assembly	1
2	7900-143	Horn Relay	1
3	7900-144	Female Wire Loom Connector with Terminals	1
4	7900-164	Clamp for 2" Diameter Column	1
5	7900-167	Column Seal 64 – Early 67 Mustang	1
6	7900-168	Column Seal Late 67 – 70 Mustang	1

*7918-013 Hardware Bag for TCP COLM-10*

Item	Part Number	Description	Quantity
A	3101-019-32C	Locknut, 10-32 Nylon Insert, 3/8 Hex	4
B	3104-019F0.75S	Button Head 10-32 x 3/4" Cap Screw	4
C	3106-038FD0.75B	Set Screw 3/8-24x .75" Dog Point	2
D	3250	Washer 10-32 Flat SAE .219 x .500 x .049 Thick	4
E	7900-142	Column Mount Rubber Shim 65-70 Mustang	2



# INSTRUCTIONS

1. Determine wiring for turn signal harness
  - a. The factory plug that connects turn signals, horn, and brake light switch will be replaced with supplied 11-pin female connector.
  - b. Please refer to a year specific wiring diagram to determine correct color coding.
    - i. If a diagram is not available a test light can be used to probe wires to determine their function and polarity. The color code will have to be documented for reference when power is disconnected.
2. Disconnect negative terminal of battery.
3. Disconnect turn signal harness from under dash.
4. Cut needed wires from factory plug then strip wires and crimp supplied connector terminals for insertion into female connector plug.
5. Match factory wire with new terminal to appropriate slot on connector (Figure 2-1).

## FEMALE CONNECTOR DIAGRAM

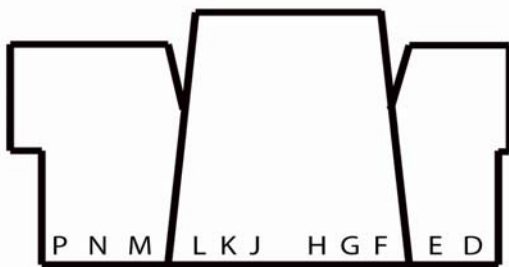


Figure 2-1

### CONNECTOR GUIDE

P - Brake Light Switch  
 N - Turn Signal, Right Rear  
 M - Turn Signal, Left Rear  
 L - Turn Signal Power  
 K - Hazard Lights Power  
 J - Turn Signal, Right Front  
 H - Turn Signal, Left Front  
 G - Horn  
 F, E, D - Not Used

### COLUMN GUIDE

P - White  
 N - Dark Green  
 M - Yellow  
 L - Purple  
 K - Brown  
 J - Dark Blue  
 H - Light Blue  
 G - Black

6. Steering Column Removal
  - a. Remove steering wheel retaining nut and pull steering wheel from shaft.
  - b. Unbolt firewall seal assembly.
  - c. Remove steering column bracket from under dash.
  - d. Remove column from the car.
    - i. Steering shaft will be removed with steering box.
  - e. Discard the factory seal and factory seal retainer.
7. Steering Box Removal
  - a. Raise vehicle using lift/jack and secure with jack stands.
  - b. Remove center link from pitman arm. A ball-joint fork or similar tool may be required.
  - c. If present, unbolt rag-joint at steering box.
  - d. Remove three bolts attaching steering box to driver side frame rail (Figure 2-2).
  - e. Remove steering box from underneath the car. It may be necessary to remove the exhaust header or raise the engine to make room for the steering box to drop out (Figure 2-3).
8. Replace Factory Horn Relay (Figure 3-1)
  - a. You must verify polarity of the horn switch with a multi-meter.
  - b. Most Fords will be 'Switched Negative' using the horn button to create a ground that triggers the relay.
  - c. Mount relay in a safe location.



Figure 2-2



Figure 2-3

The aftermarket steering column diameter is 1/4" smaller than the factory column. Use of factory mounting brackets requires the supplied rubber shims for proper fitment.

9. Upper Dash Bracket Preparation

- a. Clean inside surface of bracket and dash where steering column will make contact.
- b. Prior to removing adhesive backing of rubber shim material, cut material in half so that you have two 2" x 3" pieces. One will be applied to dash, the second to inside surface of bracket.
  - i. Material can be trimmed for a better fit with common scissors prior to final placement.

Steps 10 through 17 are only applicable to 1960-65 Falcon and 1964 to early 1967 Mustang/Cougar; non-collapsible steering shaft vehicles. Continue at step 20.

10. Lower Column Support Bracket

- a. Place support bracket against inside of firewall at factory hole for steering column.
- b. Verify bolt pattern of support bracket matches existing holes through firewall.
- c. If support bracket pattern matches factory holes, remove bracket and use a 13/64" bit to open up holes.
- d. If support bracket pattern does not match, holes must be drilled to match bracket.
  - i. Mark hole location with a center punch or begin drilling hole with bracket in place.
  - ii. We suggest starting holes then removing bracket to reduce risk of damage to bracket.

11. Once holes have been drilled, support bracket and column seal can be mounted to firewall as shown in illustration. (Figure 2-1)

12. Start set screws into support bracket.

- a. Do not thread past inside edge of support bracket.

13. Slide column clamp onto steering column.

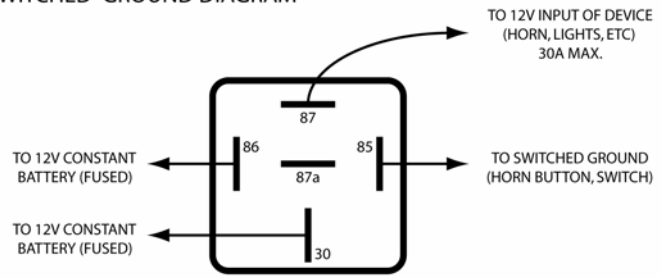
14. Insert steering column assembly through firewall seal and align clamp indents with set screws from support bracket. (Figure 2-2)

- a. Seal will stretch to allow column to pass through.
- b. Loosely thread set screws into indents so movement now pivots on set screws but allows column position to be adjusted.

15. Position column at desired height.

16. Secure column using upper dash bracket.

SWITCHED GROUND DIAGRAM



SWITCHED 12V DIAGRAM

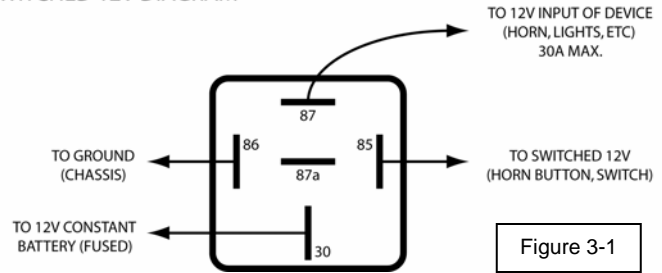


Figure 3-1

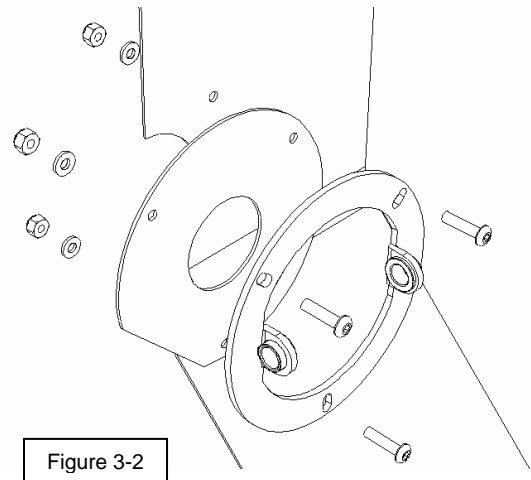


Figure 3-2

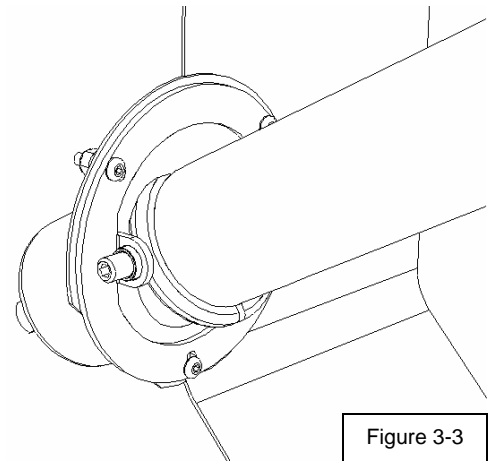


Figure 3-3

17. Tighten set screws in the lower mount until column is held securely.

*Steps 18 and 19 are only applicable to late 1967 Mustang/Cougar; collapsible steering shaft vehicles.*

18. Prepare firewall/floor mount

- a. Thoroughly clean the inside surface of the mount where the steering column will make contact. You may have to do a little sanding if there is any corrosion.
- b. Prior to removing adhesive backing of supplies rubber shim material, cut the material in half so that you have two 1" x 6" pieces. One will be applied to the each half of the mount.
- c. If necessary, material can be trimmed for a better fit with common scissors prior to final placement.

19. Install steering column

- d. Carefully slide steering column into floor mount assembly so as to not displace the rubber shim material.
  - i. A small amount of soapy water can be used as a lubricant to let the column slide along the shim more easily. Do not saturate the shim adhesive.
- e. Leave floor mount clamp loose until column position has been finalized.
- f. Position replacement column gasket against floor mount.
- g. From the vehicle interior, insert column through hole in firewall and loosely secure floor mount to firewall.
- h. Loosely install upper dash bracket.
- i. Position steering column at desired height.
- j. Floor mount and under dash bracket can now be tightened.

20. Connect turn signal harness.

21. Install steering wheel.

22. Reconnect negative terminal of battery when entire steering system installation is complete.

23. Verify turn signal and horn is working correctly.