

## WARRANTY NOTICE:

There are **NO WARRANTIES**, either expressed or implied. Neither the seller nor manufacturer will be liable for any loss, damage or injury, direct or indirect, arising from the use or inability to determine the appropriate use of any product. Before any attempt at installation, all drawings and/or instruction sheets should be completely reviewed to determine the suitability of the product for its intended use. In this connection, the user assumes all responsibility and risk. We reserve the right to change specification without notice. Further, Chris Alston's Chassisworks, Inc., makes **NO GUARANTEE** in reference to any specific class legality of any component. **ALL PRODUCTS ARE INTENDED FOR RACING AND OFF-ROAD USE AND MAY NOT BE LEGALLY USED ON THE HIGHWAY.** The products offered for sale are true race-car components and, in all cases, require some fabrication skill. **NO PRODUCT OR SERVICE IS DESIGNED OR INTENDED TO PREVENT INJURY OR DEATH.**



Total Control Products  
A Chris Alston's Chassisworks, Inc. Brand  
8661 Younger Creek Drive  
Sacramento, CA 95828  
Phone: 916-388-0288  
Technical Support: [tcptech@cachassisworks.com](mailto:tcptech@cachassisworks.com)

7903-EE-02

REV 01/18/05

## INSTALLATION GUIDE



### Eccentric Eliminator

For '66 – early 70's Fords  
with OEM eccentric method camber adjustment  
(For use with TCP Rack-&-Pinion)

**P/N: TCP EE-02**

#### DESCRIPTION:

ECCENTRIC ELIMINATOR PLATES ONLY FOR LOWER CONTROL ARMS 1.70 x 1.70 WITH 1/2 HOLES x 3"; PROVIDES 11 OFFSET COMBINATIONS

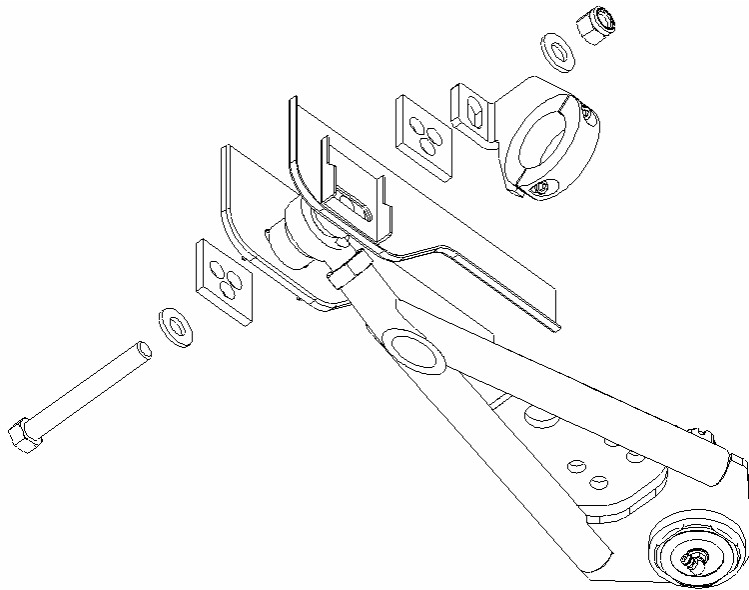
#### APPLICATIONS:

FITS '66 – EARLY 70's FORDS WITH OEM ECCENTRIC CAMBER ADJUSTMENT AND 1/2" LOWER CONTROL ARM MOUNTING BOLTS

## PARTS LIST

Part Number	Description	Qty
7900-092	Eccentric Eliminator Plate	4

Orientation of rack-&-pinion mounting bracket will differ by application.



*Additional hardware shown is included with the TCP Rack-&-Pinion and TCP Lower Control Arms.*

## INFORMATION

- Our Eccentric Eliminators' three-hole design provides 11 different mounting positions for the lower control arm, with a total camber adjustment range of 5 degrees.
- Each position is equal to roughly 1/2 degree of movement.
- The bolt must pass through the same hole of the fore and aft eliminator plates.
- The eliminator plates must have matching orientation.
- Negative camber will need to be initially set toward the negative side of the intended adjustment spec.
  - Example: Desired  $-1.5^\circ$ , Initial Setting  $-2^\circ$
- TCP adjustable upper control arms or adjustment shims will be needed to make precise alignment settings.
- The split collar clamp for the rack-&-pinion is left loose to allow the clamp assembly to slide along the rack tube (not pictured).
- Tighten split collar clamp when initial camber setting has been achieved.
- Torque 1/2" Lower Control Arm bolts to 65 lb.ft.