

## WARRANTY NOTICE:

There are **NO WARRANTIES**, either expressed or implied. Neither the seller nor manufacturer will be liable for any loss, damage or injury, direct or indirect, arising from the use or inability to determine the appropriate use of any product. Before any attempt at installation, all drawings and/or instruction sheets should be completely reviewed to determine the suitability of the product for its intended use. In this connection, the user assumes all responsibility and risk. We reserve the right to change specification without notice. Further, Chris Alston's Chassisworks, Inc., makes **NO GUARANTEE** in reference to any specific class legality of any component. **ALL PRODUCTS ARE INTENDED FOR RACING AND OFF-ROAD USE AND MAY NOT BE LEGALLY USED ON THE HIGHWAY.** The products offered for sale are true race-car components and, in all cases, require some fabrication skill. **NO PRODUCT OR SERVICE IS DESIGNED OR INTENDED TO PREVENT INJURY OR DEATH.**

## INSTALLATION GUIDE



### Leaf Spring Plates For Non-Staggered Shocks

**P/N: TCP LSP-01**



Total Control Products  
A Chris Alston's Chassisworks, Inc. Brand  
8661 Younger Creek Drive  
Sacramento, CA 95828  
Phone: 916-388-0288  
Technical Support: [tcpetch@cachassisworks.com](mailto:tcpetch@cachassisworks.com)

#### DESCRIPTION:

LEAF SPRING PLATES WITH VEHICLE TIE DOWN LOOPS FOR 2-1/2" SPRINGS AND NON-STAGGERED SHOCK MOUNTS. WILL FIT 7/16" & 1/2" U-BOLTS AND 2-1/4" TO 3-1/4" AXLE TUBES. CONTAINS 1 EACH DRIVER AND PASSENGER SIDES

#### APPLICATIONS:

FITS MOST VEHICLES WITH 2-1/2" LEAF SPRINGS AND NON-STAGGERED STEM-MOUNT SHOCKS. EXCLUDES '69-'70 BOSS 302 WITH STAGGERED SHOCKS.

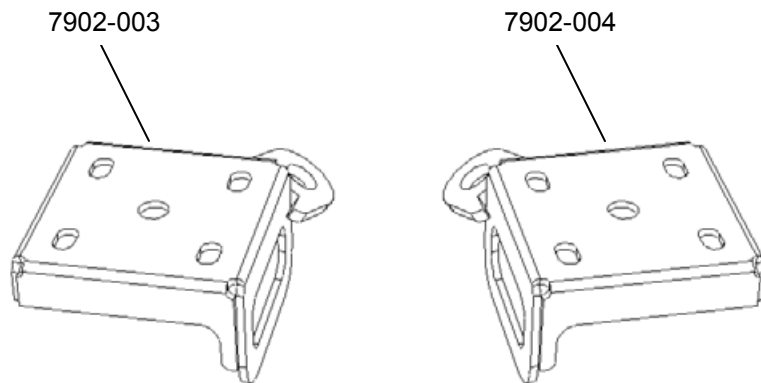
7903-LSP-01

REV 10/27/09

## PARTS LIST

Item Number	Description	Qty
7902-003	Driver Side Plate, Powder-coated	1
7902-004	Pass. Side Plate, Powder-coated	1

FRONT OF VEHICLE



REAR OF VEHICLE

## INSTRUCTIONS

1. Support the rear of the vehicle securely using jack stands. The car should be lifted by the chassis and NOT the axle.
2. Unbolt your existing spring plate from the leaf spring and shock.
3. The new spring plate will bolt into the same position. The tow hook tab should face towards the differential.
4. Tighten all bolts.

NOTE: The hole for the shock is drilled .700" in diameter to fit most aftermarket shocks. Some OEM shocks have bushings for larger holes. If using shocks with larger bushings, you will need to use the supplied TCP replacement bushings (#899-013-202) to insure a proper fit.