

READ ALL INSTRUCTIONS COMPLETELY AND THOROUGHLY UNDERSTAND THEM BEFORE DOING ANYTHING.  
CALL TOTAL CONTROL PRODUCTS TECH SUPPORT (916) 388-0288 IF YOU NEED ASSISTANCE.

## INSTALLATION GUIDE



### TCP MM-FD-04 Poly-Bushed Steel Motor Mounts Small Block Ford, Adjustable (260, 289, 302, 351W)



**Description:** Poly-bushed steel motor mounts for OEM shock tower. Includes poly bushings and Grade 8 mounting hardware.

**Applications:** Mustang '64-70, Cougar '67-70, Falcon '60-65, Comet '60-65, Cyclone '64-65, Ranchero '60-65

# PARTS LIST

## TCP MM-FD-04 - Small-Block-Ford Adjustable Steel Motor Mounts

| Qty | Part Number    | Description  |
|-----|----------------|--|
| 6   | 3100-038C3.50Y | Bolt, 3/8-16 x 3-1/2" hex head cap screw, yellow zinc  |
| 4   | 3100-044C1.25Y | Bolt, 7/16-14 x 1-1/4" hex head cap screw, yellow zinc |
| 2   | 3100-050C3.75Y | Bolt, 7/16-14 x 3-3/4" hex head cap screw, yellow zinc |
| 6   | 3101-038-16C   | Locknut, 3/8-16 nylon insert, clear zinc               |
| 2   | 3101-050-13C   | Locknut, 1/2-13 nylon insert, clear zinc               |
| 4   | 3108-044L-C    | Lock washer, 7/16" regular, clear zinc                 |
| 4   | 3120-050S-Y    | Washer, 1/2" flat SAE hardened, yellow zinc            |
| 12  | 3157-038S-C    | Washer, 3/8" flat SAE, clear zinc                      |
| 4   | 3157-044S-C    | Washer, 7/16" flat SAE, clear zinc                     |
| 4   | 7901-002       | Frame adapter brackets                                 |
| 1   | 7901-058       | Motor mount assembly, driver side                      |
| 1   | 7901-059       | Motor mount assembly, passenger side                   |

## TORQUE SPECS

| Torque    | Bolt Size | Location                        |
|-----------|-----------|---------------------------------|
| 40 ft-lbs | 3/8-16    | Motor-mount adjustment hardware |
| 50 ft-lbs | 7/16"-14  | Mount to engine block           |
| 75 ft-lbs | 1/2"-13   | Motor-mount through bolt        |

## INSTRUCTIONS

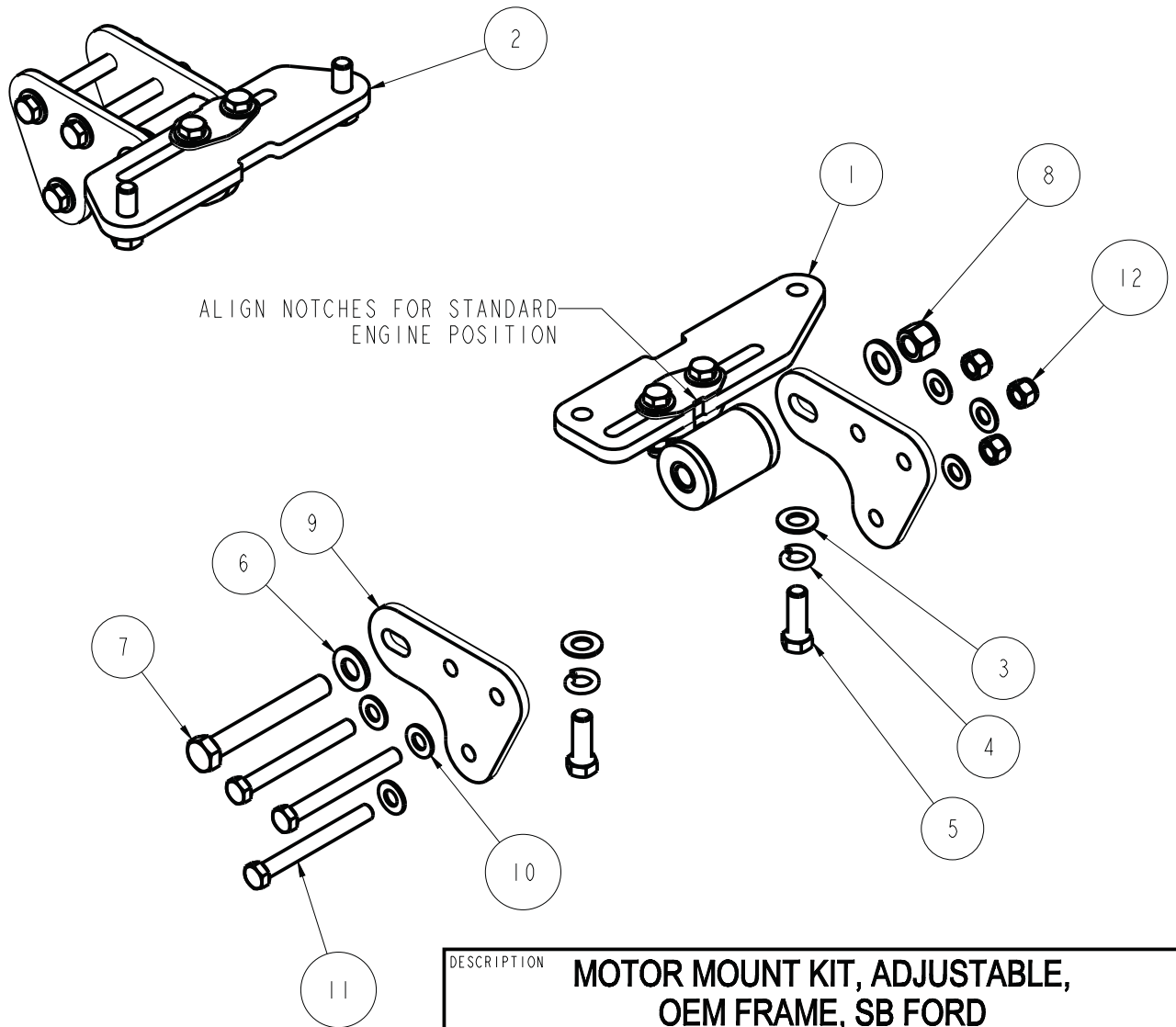
### REMOVAL

1. Disconnect the negative terminal of the battery to prevent any short circuits.
2. Support and secure the weight of the motor using a floor jack, cherry picker, or lift.
3. Remove the bolt connecting the factory motor mount to the frame mount. To ensure the engine is secure in the vehicle at all times, we recommend removing only one motor mount at this time.
4. Raise the motor to allow access to the factory mounting bolts.
5. Remove the factory motor mount and frame bracket.

### INSTALLATION

1. Loosely bolt the two frame brackets to the shock tower using the three 3/8" bolts supplied.  
NOTE: 1967-1970 vehicles will only use two bolts for this step.
2. Assemble the motor mount, then fasten to the engine block using 7/16" hardware.
3. Lower the engine into position.
4. Insert the spacers between the bushings and the frame brackets.
5. Insert a 1/2" bolt through the assembly as shown in diagram below.
6. Torque Values: 3/8" = 30 lb/ft; 7/16" = 50 lb/ft; 1/2" = 75 lb/ft.
7. Repeat procedure for remaining mount.

| ITEM | QTY | PART NO.       | DESCRIPTION   |
|------|-----|----------------|---|
| 1    | 1   | 7901-058       | MOTOR MOUNT ASSEMBLY, DRIVER, ADJUSTABLE MOTOR MOUNT, SB FORD   |
| 2    | 1   | 7901-059       | MOTOR MOUNT ASSEMBLY, PSGR, ADJUSTABLE MOTOR MOUNT, SB FORD     |
| 3    | 4   | 3157-044S-C    | WASHER, 7/16 SAE, ZINC PLATED, 7/16 ID x 1 1/8 OD x 1/16 THICK  |
| 4    | 4   | 3108-044L-C    | LOCK WASHER, HELICAL SPRING $\varnothing$ 7/16, STEEL, ZINC     |
| 5    | 4   | 3100-044C1.25Y | HEX BOLT, 7/16-14 x 1 1/4, GRADE 8, YELLOW ZINC                 |
| 6    | 4   | 3120-050S-Y    | FLAT WASHER, 1/2 SAE, HARDENED, YELLOW ZINC                     |
| 7    | 2   | 3100-050C3.75Y | HEX BOLT, 1/2-13 x 3 3/4, GRADE 8, YELLOW ZINC                  |
| 8    | 2   | 3101-050-13C   | LOCKNUT 1/2-13, GRADE 5, NYLON INSERT, CLEAR ZINC               |
| 9    | 4   | 7901-002       | MOTOR MOUNT FRAME ADAPTER 65-70 MUSTANG                         |
| 10   | 12  | 3157-038S-C    | WASHER, 3/8 SAE, ZINC PLATED, 13/32 ID x 13/16 OD x 1/16 THICK, |
| 11   | 6   | 3100-038C3.50Y | HEX BOLT, 3/8-16 x 3 1/2, GRADE 8, YELLOW ZINC                  |
| 12   | 6   | 3101-038-16C   | LOCKNUT 3/8-16, GRADE 5, NYLON INSERT, CLEAR ZINC               |



|  |  |  |                    |
|--|--|--|--------------------|
| DESCRIPTION  |  | <b>MOTOR MOUNT KIT, ADJUSTABLE,<br/>OEM FRAME, SB FORD</b> |                    |
| Chris Aston's CHASSISWORKS INC.<br>8661 YOUNGER CREEK DRIVE<br>SACRAMENTO, CA 95828<br>(916) 388-0288 FAX 388-0295 |  | PART NO.<br><b>TCP MM-FD-04</b>                            |                    |
|  |  | 8/7/15   | DWG: 7903-MM-FD-04 |

**WARRANTY NOTICE:**

There are NO WARRANTIES, either expressed or implied. Neither the seller nor manufacturer will be liable for any loss, damage or injury, direct or indirect, arising from the use or inability to determine the appropriate use of any products. Before any attempt at installation, all drawings and/or instruction sheets should be completely reviewed to determine the suitability of the product for its intended use. In this connection, the user assumes all responsibility and risk. We reserve the right to change specification without notice. Further, Chris Alston's Chassisworks, Inc., makes **NO GUARANTEE** in reference to any specific class legality of any component. **ALL PRODUCTS ARE INTENDED FOR RACING AND OFF-ROAD USE AND MAY NOT BE LEGALLY USED ON THE HIGHWAY.** The products offered for sale are true race-car components and, in all cases, require some fabrication skill. **NO PRODUCT OR SERVICE IS DESIGNED OR INTENDED TO PREVENT INJURY OR DEATH.**

Total Control Products  
A Chris Alston's Chassisworks, Inc. Brand  
8661 Younger Creek Drive  
Sacramento, CA 95828  
Phone: 916-388-0288  
Technical Support: [tcptech@cachassisworks.com](mailto:tcptech@cachassisworks.com)

