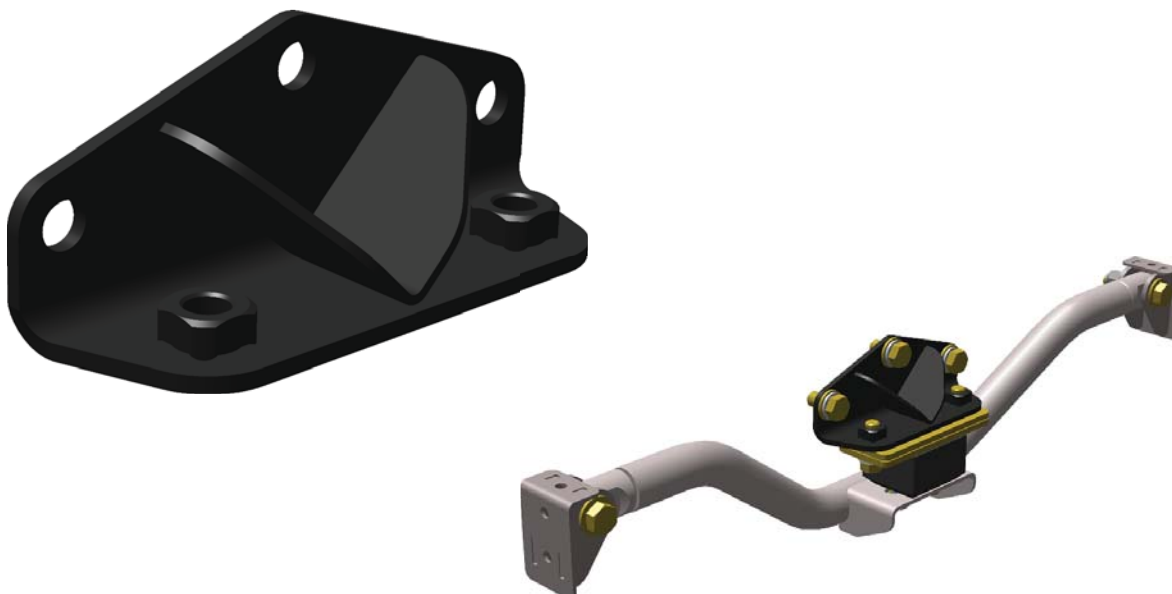


READ ALL INSTRUCTIONS COMPLETELY AND THOROUGHLY UNDERSTAND THEM BEFORE DOING ANYTHING.  
CALL TOTAL CONTROL PRODUCTS TECH SUPPORT (916) 388-0288 IF YOU NEED ASSISTANCE.

## INSTALLATION GUIDE



### TCP MTC-A1 Adapter for Late-Model Ford Transmission



**Description:** Welded adapter bracket for use with custom-fit crossmember (TCP MTC-U4) and standard urethane transmission mount (ESP 3.1108G).

# PARTS LIST

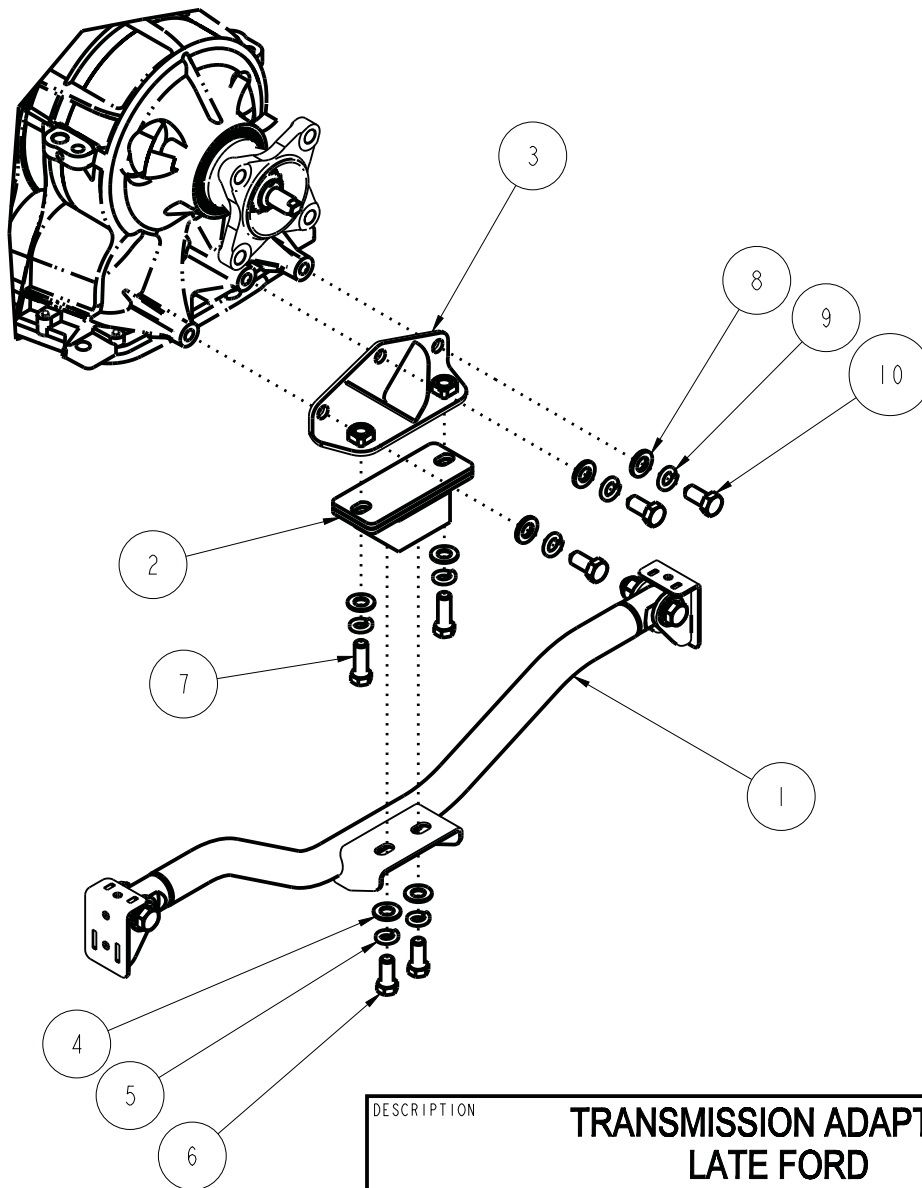
## TCP MTC-A1 - Late-Model Ford Transmission Adapter

Qty	Part Number	Description
2	3100-044C1.00Y	Bolt, 7/16-14 x 1" hex head cap screw, yellow zinc
2	3100-044C1.25Y	Bolt, 7/16-14 x 1-1/4" hex head cap screw, yellow zinc
4	3108-044L-C	Lock washer, 7/16" regular, clear zinc
3	3108-M12R-C	Lock washer, 12mm, clear zinc
3	3139-12C-025-Y	Bolt, 12mm - 1.75p x 25mm, yellow zinc
4	3157-044S-C	Washer, 7/16" flat SAE, clear zinc
3	3157-M12S-C	Washer, M12 flat SAE, clear zinc
1	7901-082	Transmission adapter weldment
1	ESP 3.1108G	Transmission mount, poly

# TORQUE SPECS

Torque	Part Number	Description
35 ft-lbs	3100-044C1.00Y	Crossmember to mount
35 ft-lbs	3100-044C1.25Y	Mount to adapter
-	3139-12C-025-Y	Adapter to transmission - <i>Refer to factory assembly manual.</i>

ITEM	QTY	PART NO.	DESCRIPTION
1	1	TCP MTC-4U	TRANS XMEMBER, Ø1 1/4 X 4 DROP, WELD IN, UNIVERSAL, 64-73 MUSTANG
2	1	ESP 3.1108G	TRANSMOUNT MOUNT, POLYURETHANE, GM UNIVERSAL, BLACK
3	1	7901-082	TRANSMISSION ADAPTER WELDMENT, FORD, LATE MODEL
4	4	3157-044S-C	WASHER, 7/16 SAE, ZINC PLATED, 7/16 ID x 1 1/8 OD x 1/16 THICK
5	4	3108-044L-C	LOCK WASHER, HELICAL SPRING Ø7/16, STEEL, ZINC
6	2	3100-044C1.00Y	HEX BOLT, 7/16-14 x 1, GRADE 8, YELLOW ZINC
7	2	3100-044C1.25Y	HEX BOLT, 7/16-14 x 1 1/4, GRADE 8, YELLOW ZINC
8	3	3157-M12S-C	WASHER, M12 SAE, CLEAR ZINC, HV200, 13MM ID x 24MM OD x 2.5MM THICK
9	3	3108-M12R-C	LOCK WASHER, HELICAL SPRING M12, STEEL, ZINC
10	3	3139-12C-025-Y	HEX BOLT, M12-1.75 x 25MM, GRADE 10.9, YELLOW ZINC



DESCRIPTION		<b>TRANSMISSION ADAPTER, LATE FORD</b>	
<i>Chris Alston's</i> <b>CHASSISWORKS INC.</b> 8661 YOUNGER CREEK DRIVE SACRAMENTO, CA 95828 (916) 388-0288 FAX 388-0295		PART NO.	<b>TCP MTC-A1</b>
		8/12/15	DWG: 7903-MTC-A1

**WARRANTY NOTICE:**

There are NO WARRANTIES, either expressed or implied. Neither the seller nor manufacturer will be liable for any loss, damage or injury, direct or indirect, arising from the use or inability to determine the appropriate use of any products. Before any attempt at installation, all drawings and/or instruction sheets should be completely reviewed to determine the suitability of the product for its intended use. In this connection, the user assumes all responsibility and risk. We reserve the right to change specification without notice. Further, Chris Alston's Chassisworks, Inc., makes **NO GUARANTEE** in reference to any specific class legality of any component. **ALL PRODUCTS ARE INTENDED FOR RACING AND OFF-ROAD USE AND MAY NOT BE LEGALLY USED ON THE HIGHWAY.** The products offered for sale are true race-car components and, in all cases, require some fabrication skill. **NO PRODUCT OR SERVICE IS DESIGNED OR INTENDED TO PREVENT INJURY OR DEATH.**

Total Control Products  
A Chris Alston's Chassisworks, Inc. Brand  
8661 Younger Creek Drive  
Sacramento, CA 95828  
Phone: 916-388-0288  
Technical Support: [tcptech@cachassisworks.com](mailto:tcptech@cachassisworks.com)

